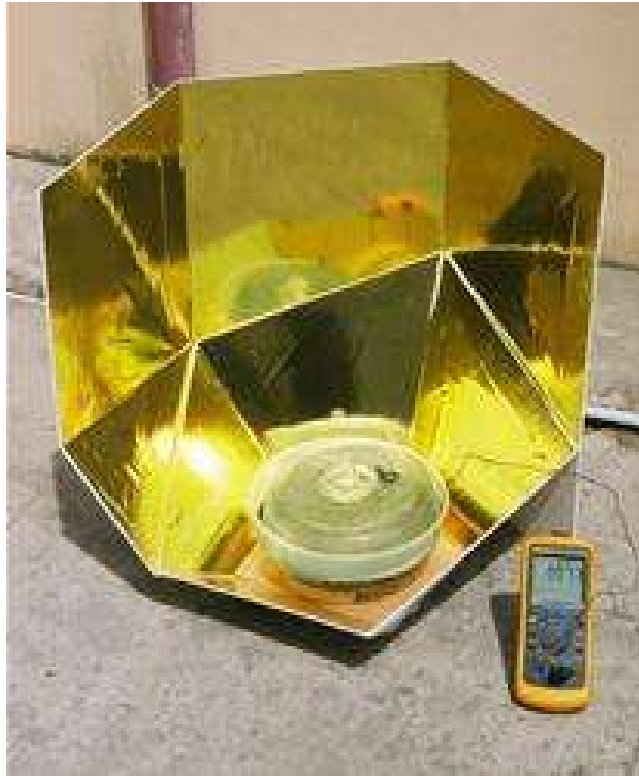


Girassol

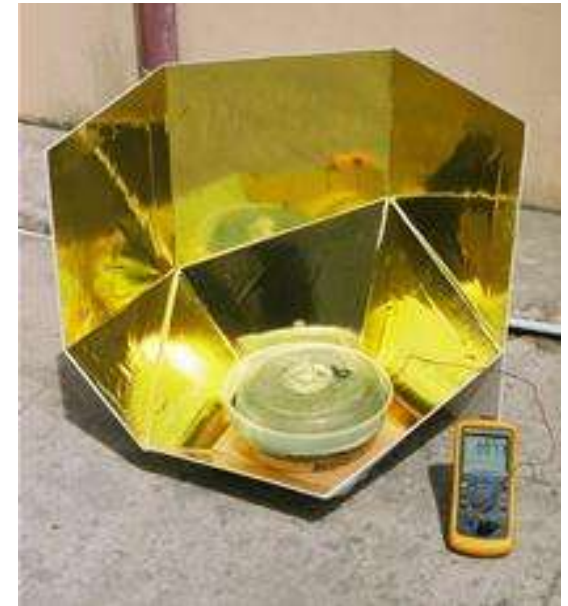


**Team from Escola EB2,3
“A Ribeirinha” - Vila do Conde,
Competitor in the
“Padre Himalaya” 2004¹ Contest**

¹- <http://www.cienciaviva.pt/himalaya>

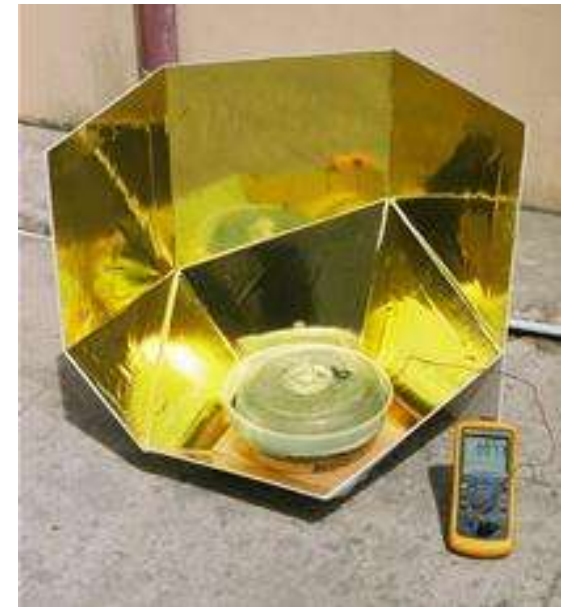
Girassol

- > "Girassol" (SunFlower) is a panel solar oven.
- > The cooker can remain stationary as the food cooks (up to 3 hours).
- > This oven is appropriate for picnics on the beach or in the garden. It is light and collapsible, but it can also be constructed to be permanently set up.
- > It is constructed with common, strong, and light household materials.

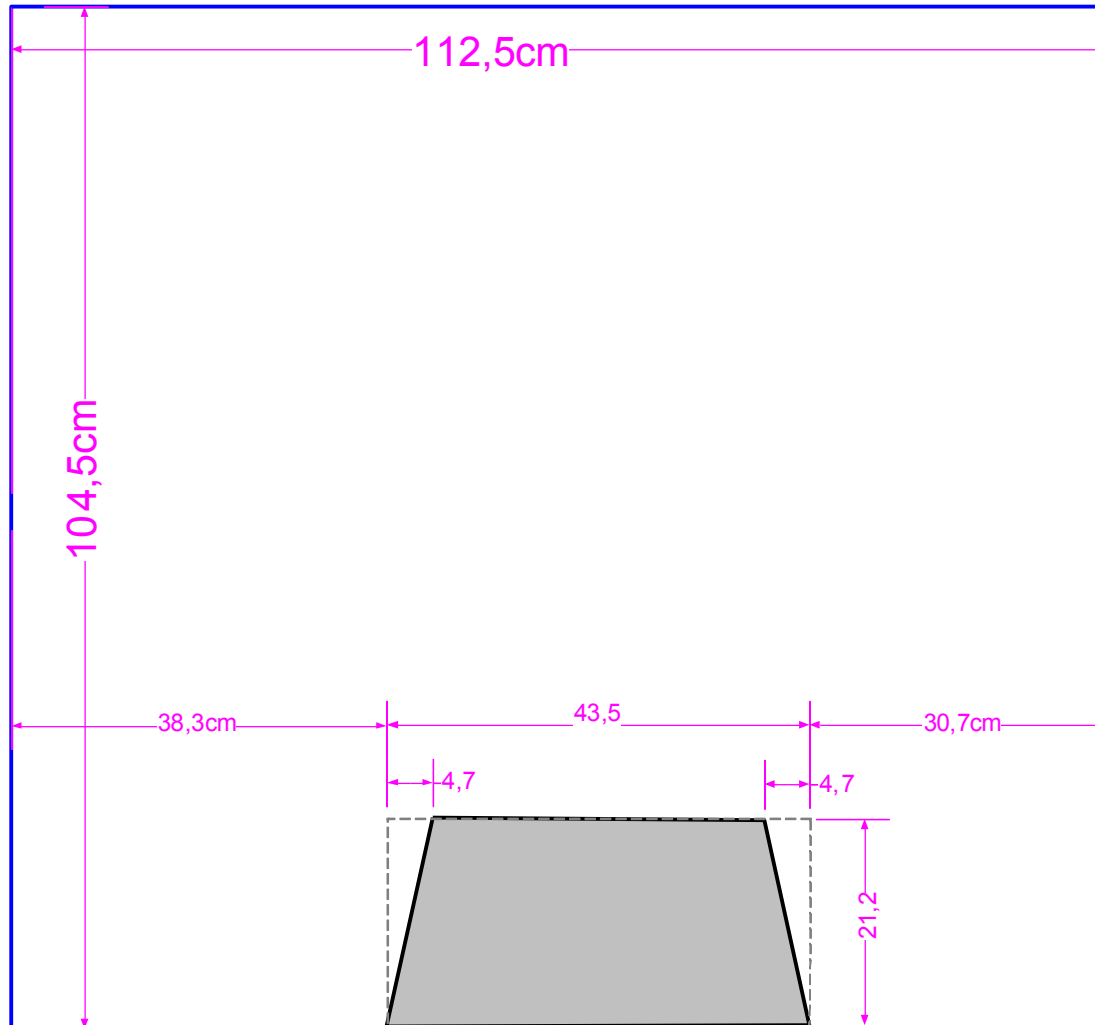


Girassol

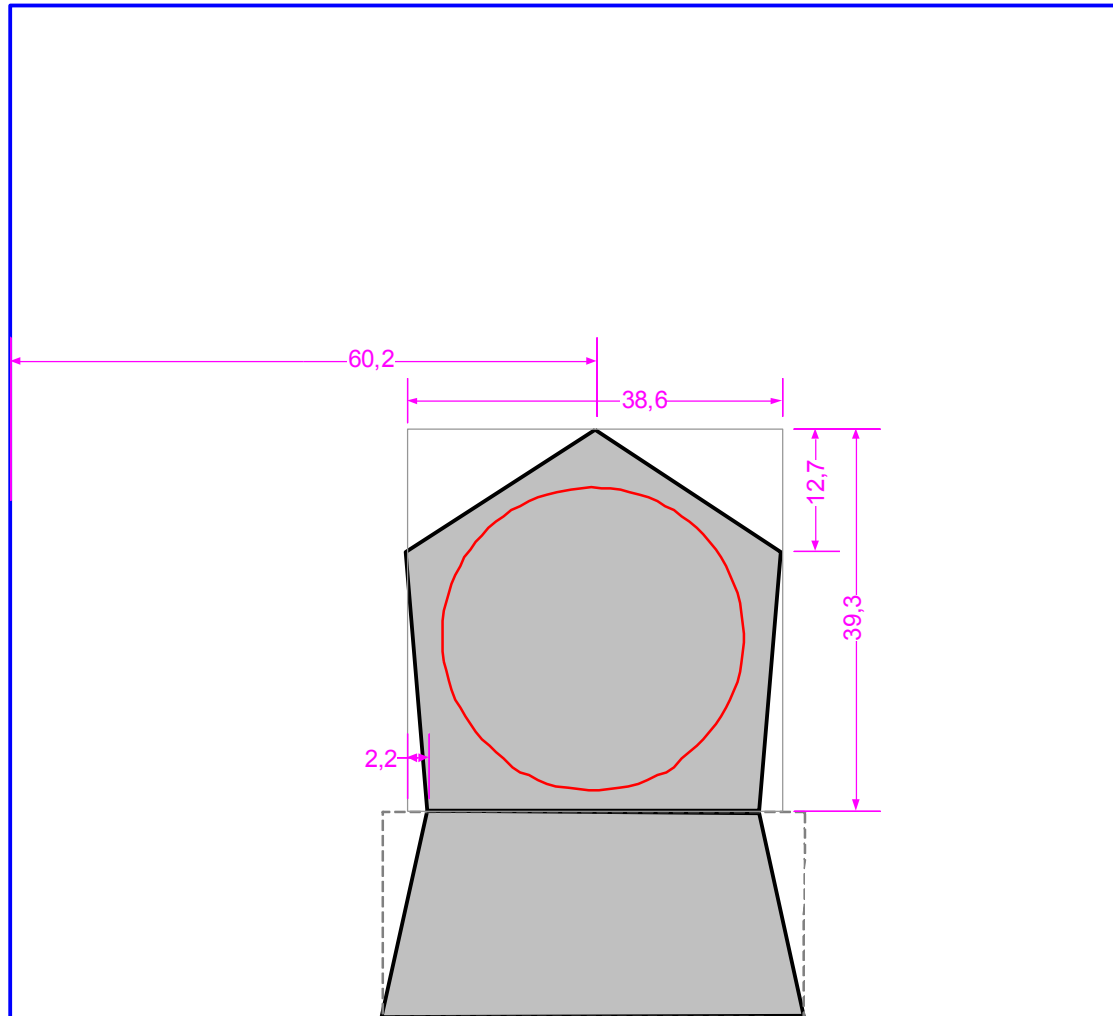
- > The cooking chamber can consist of a glass or Pyrex container inverted over an aluminium pot, or a transparent enclosure can be made with wood and plastic film.
- > The pan must be black and made of metal. The glass container will serve to accumulate heat.
- > You can use reflective gift wrapping paper or aluminum foil to coat the reflector.
- > For the support structure, we use corrugated cardboard or plastic.



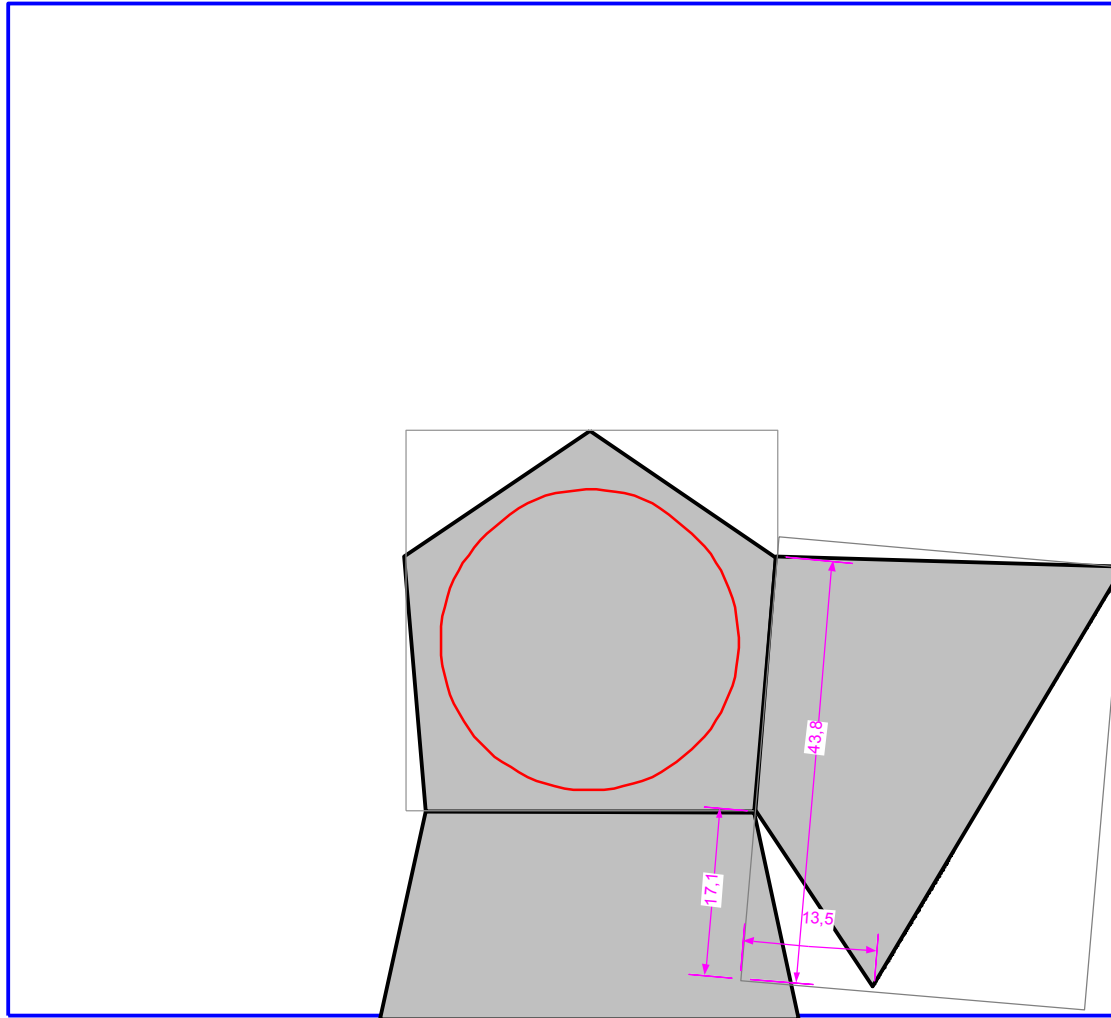
Girassol



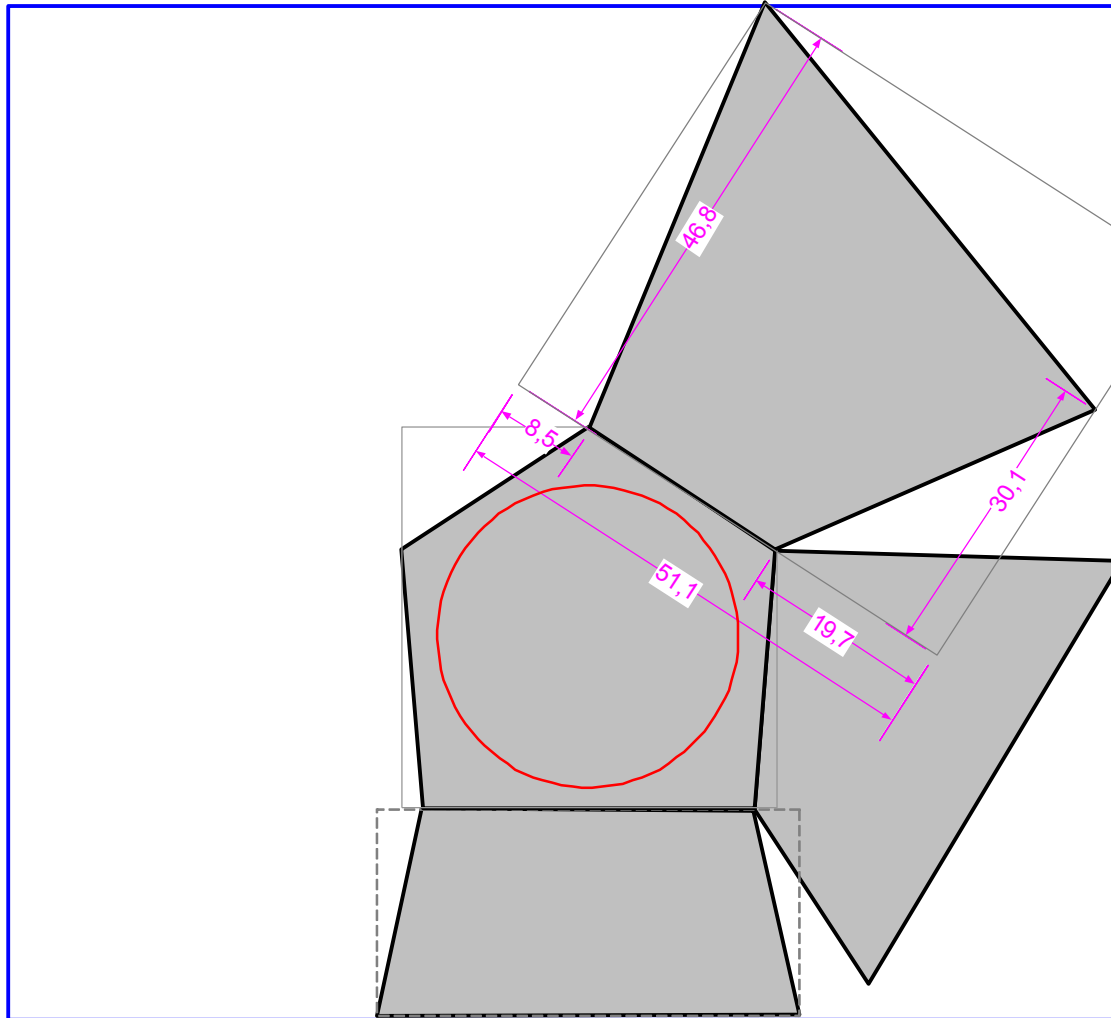
Girassol



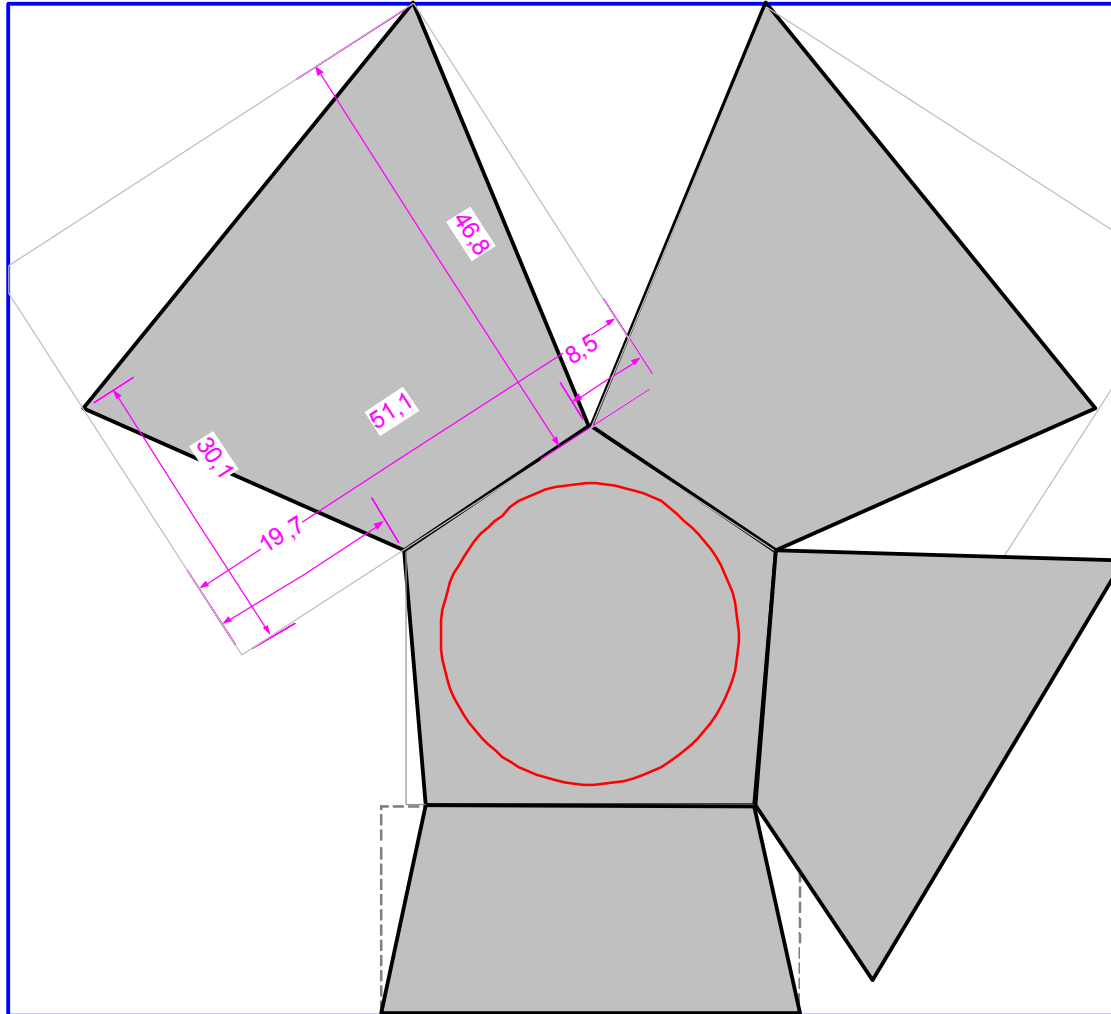
Girassol



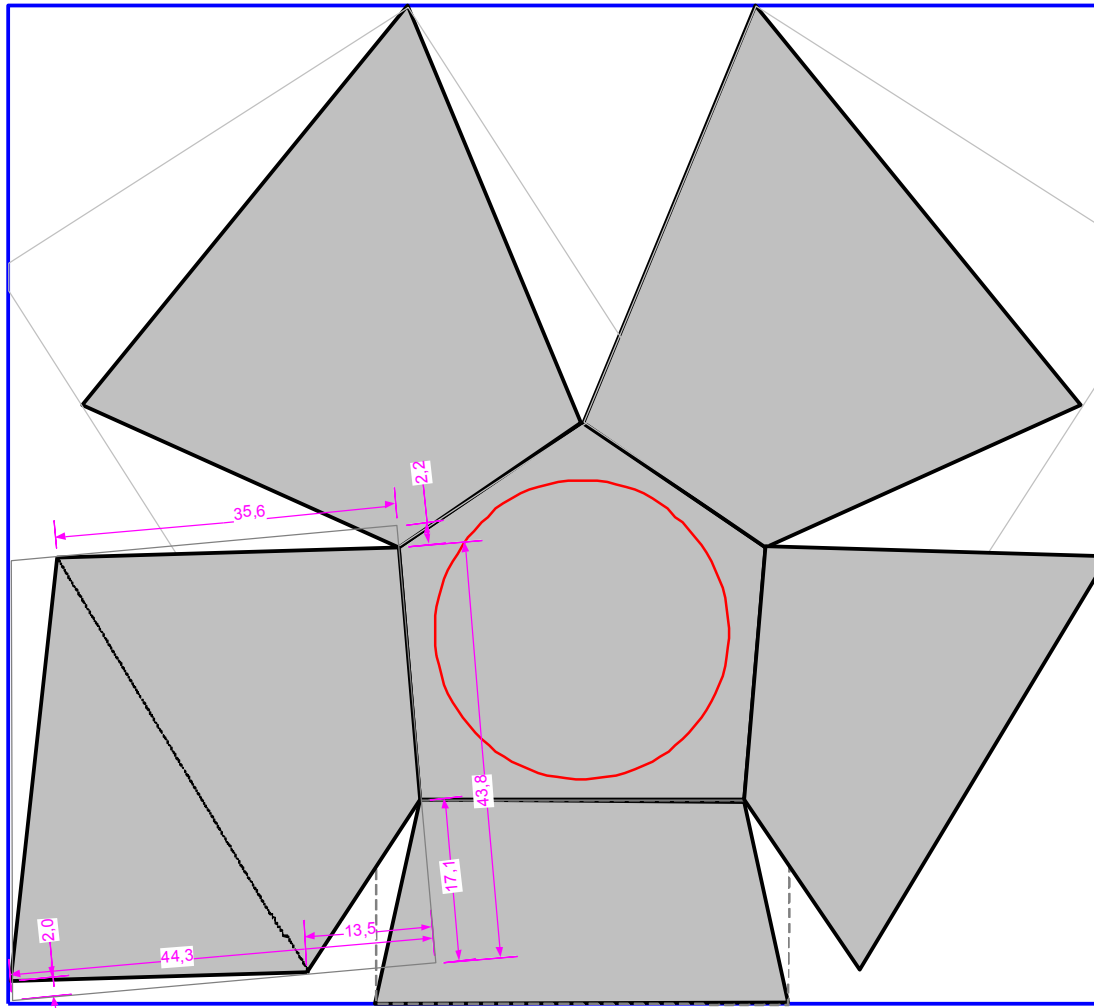
Girassol



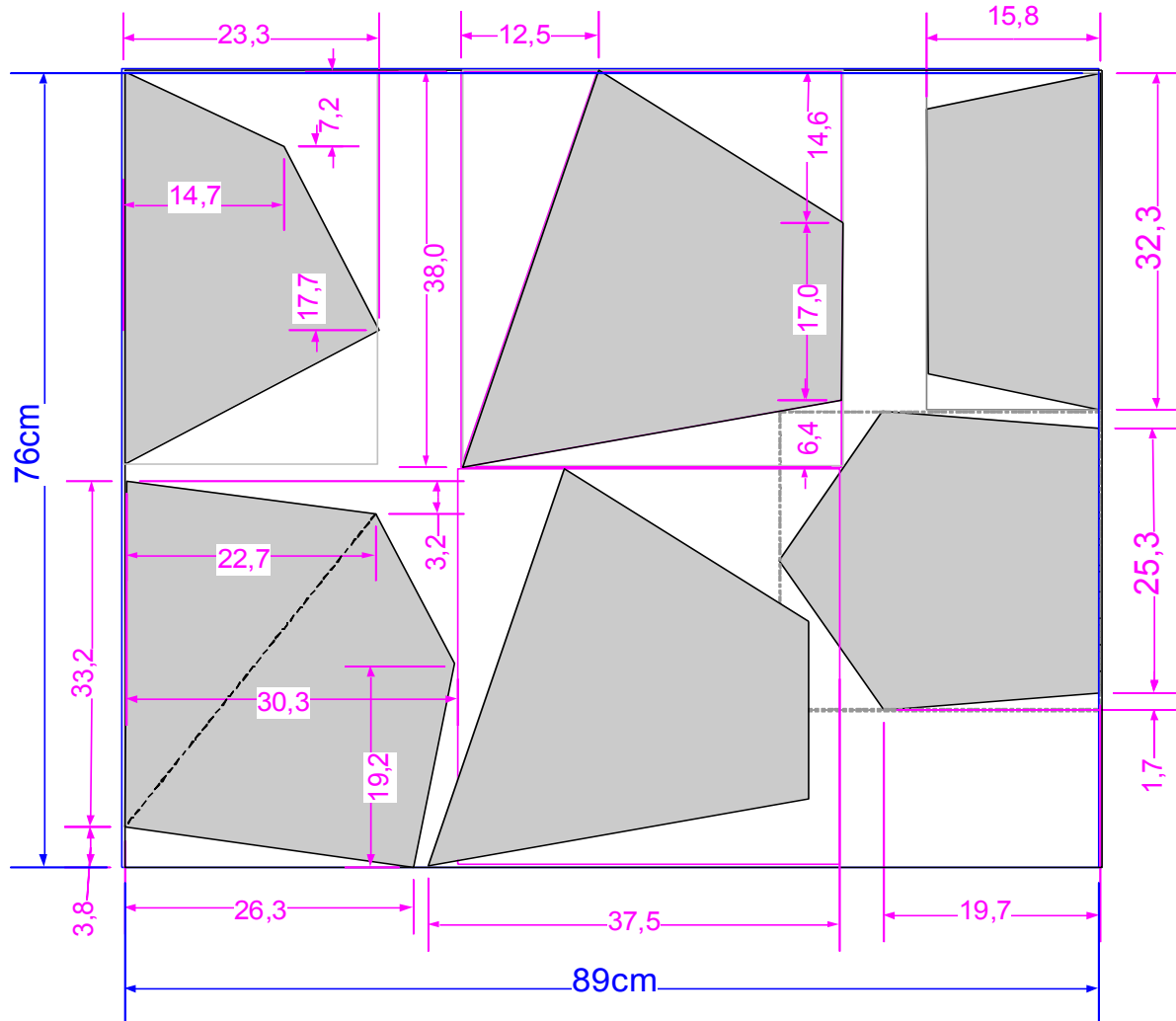
Girassol



Girassol

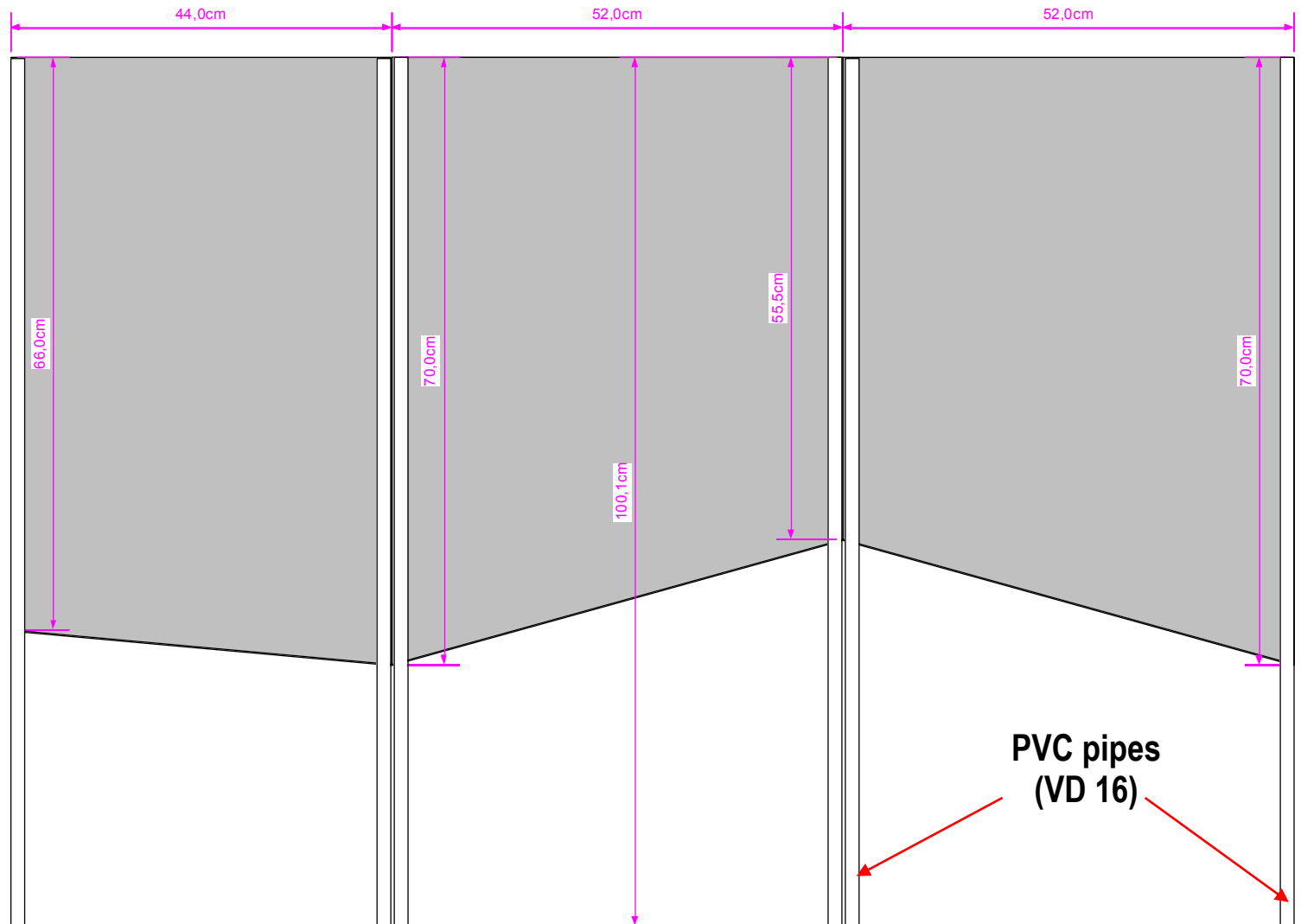


Girassol



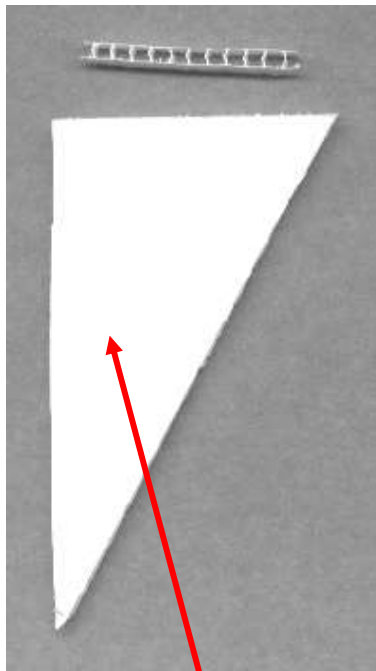
Forno Solar		GIRASSOL	
modelo			
Data: 16.Dezembro.2003	A4	Desenho N.º 1	Rev. 02
Autor: Armando Herculano		Escala: 1:5	Folha: 1 de 10

Girassol

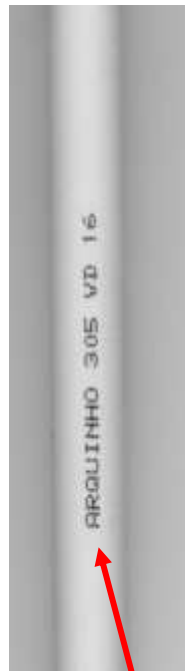


Girassol

Materials



3.5mm Alveolar
Polypropylene (PP)



16 mm PVC pipe
(electric VD 16)



Plastic Tie



Reflectiv paper



Black turned ink
High (800°C)
temperatures
resistant



Transparent plastic
foil
Polypropylene (PP)

Girassol

Materials



Tape - 15 mm double
face



Polypropylene (PP)
transparent basin



VELCRO



(3mm) Cork leaf

Girassol

Materials

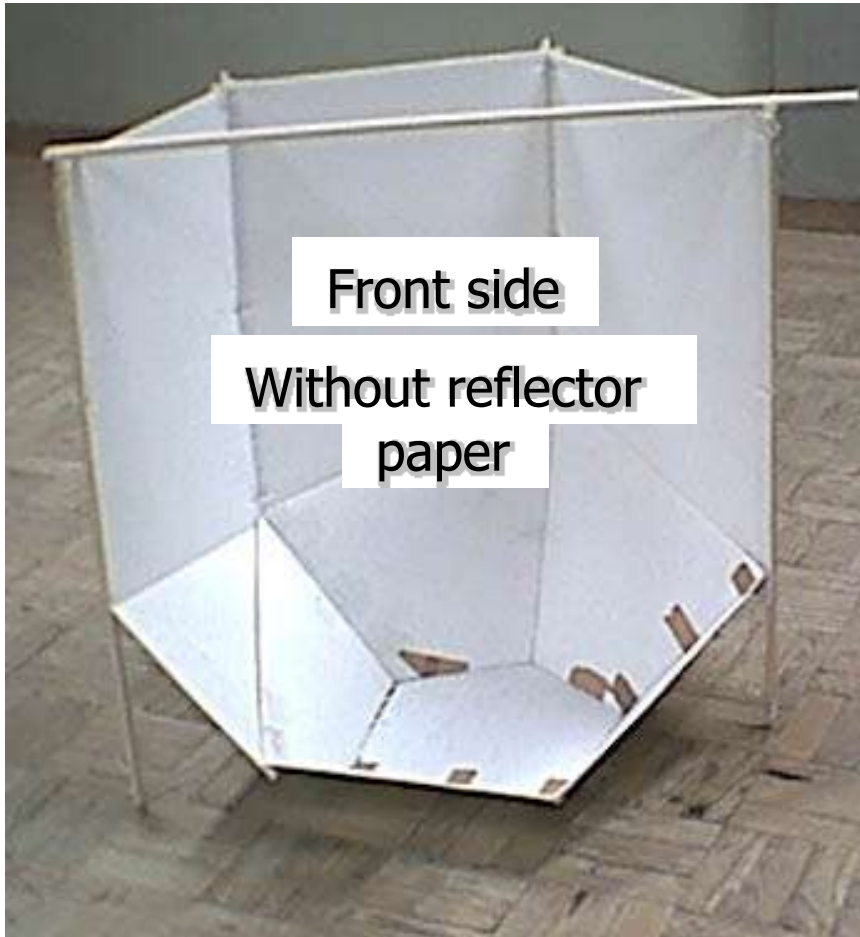


**Enalelled black Iron
pan with "pyrex" glass
plate**



Asiatic WOK
The handle is dismantable

Girassol



Girassol



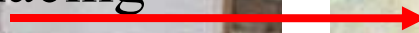
Place the velcro between the parts



Place the double-face tape in the extremities to fix the reflector

Girassol

Reflector paper placing



Girassol

2 types of stove



Inverted Plastic (PP) transparent bucket



Bamboo structure and polypropylene foil

Girassol



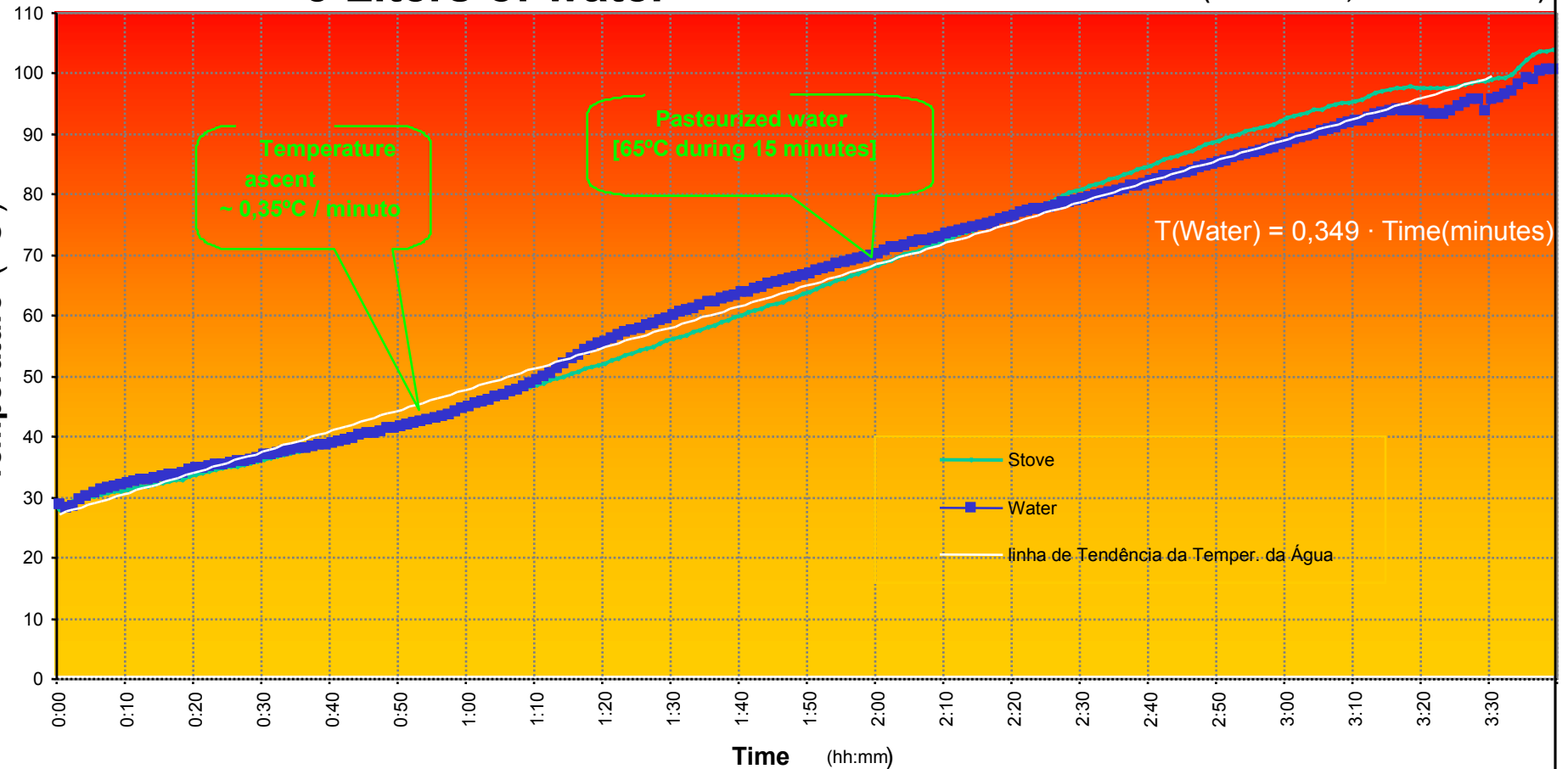
East-Timor University students
Alunos da Universidade de Timor-Loro Sa'e

FEV 05

Girassol

3 Liters of water

(Timor-Leste, Dili- UNTL - 2005)



Girassol



Santa Bakhit - Dili Orphanage

Girassol



Cookery TV show recordings "Fim Contacto RFP Dili

Girassol (sunflower)



Armando Herculano Lopes Ferreira



António Palma Serafim

PORTUGAL